



### I Application

A check valve, or non return valve, is a valve that prevents the fluid from flowing backwards and ensures that it flows in only one direction. It can be used to prevent the loss of prime of the pump and water hammer.

It is used in the food-processing, cosmetics, pharmaceutical and chemical industries as well as in the beverage, wine and oil production.

### I Operating principle

The check valve opens when the pressure of the fluid exceeds the pressure exerted by the spring. When the two pressures are compensated, the valve closes.

A higher counterpressure will ensure the valve closes.

When there are two pumps operating alternately, the check valves are installed at the outlet of each pump to prevent the backflow when the pump is stopped. The obturation disc is provided with a perforation for a minimal circulation flow to avoid water stagnancy.

### I Design and features

Available sizes: DN 25/1" to 100/4".

Easy assembly/disassembly with the clamp.

Reduced size design.

Connections: Male DIN 11851.

### I Materials

Parts in contact with the product	AISI 316L (1.4404)
Other stainless steel parts	AISI 304 (1.4301)
Spring	AISI 302 (1.4319)
Gasket	EPDM according to FDA 177.2600
Internal surface finish	Ra ≤ 0,8 μm
External surface finish	Machined (turned)



Option: a small perforation provides for a minimal circulation flow

### I Options

Gaskets: NBR, FPM or PTFE.

Connections: Weld DIN 11850, Weld OD ASME BPE, Clamp DN 32676,

Clamp OD ASME BPE, Clamp, SMS, RJT, FIL-IDF, etc.

Perforation in the obturation disc.

ATEX version available.



**I Technical specifications**

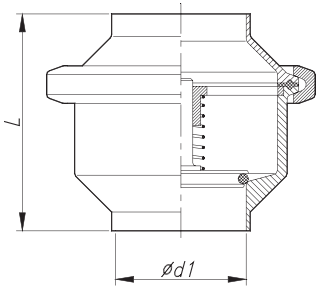
Sizes DN 25 - DN 100 DN 1" - DN 4"  
 Max. working temperature -10 °C to +120°C 14 °F to 248 °F  
 EPDM gasket + 140 °C (SIP, max. 30 min) 284 °F  
 Max. working pressure 10 bar

Max. opening pressure [bar]:

DN	25	1"	32 / 40	1½"	50 / 100	2" / 4"
Spring	0,3		0,2			0,1

(Temperature and pressure values are indicative and depend on product and gasket type)

**I Dimensions**

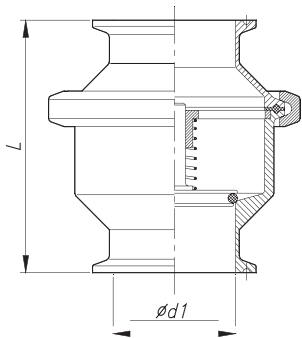


Weld for metric pipe according to DIN 11850

DN	d1	L	AISI 316L
25	26	73	V7200-000650025
32	32	73	V7200-000650032
40	38	80	V7200-000650040
50	50	85	V7200-000650050
65	66	110	V7200-000650065
80	81	115	V7200-000650080
100	100	125	V7200-000650100

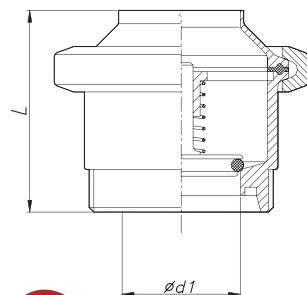
Weld for OD pipe according to ASME BPE

DN	d1	L	AISI 316L
1"	22,1	73	V7201-000650025
1½"	34,8	80	V7201-000650040
2"	47,5	85	V7201-000650050
2½"	60,2	110	V7201-000650063
3"	72,9	115	V7201-000650076
4"	97,6	125	V7201-000650100



Clamp OD according to ASME BPE

DN	d1	L	AISI 316L
1"	22,1	98	V7201-770650025
1½"	34,8	105	V7201-770650040
2"	47,5	110	V7201-770650050
2½"	60,2	135	V7201-770650063
3"	72,9	140	V7201-770650076
4"	97,6	157	V7201-770650100



Male DIN 11851 and weld for metric pipe according to DIN 11850

DN	d1	L	AISI 316L
25	26	73	V7200-100650025
32	32	73	V7200-100652032
40	38	80	V7200-100652040
50	50	85	V7200-100652050
65	66	110	V7200-100652065
80	81	115	V7200-100652080
100	100	125	V7200-100652100

(Dimensions in mm)

